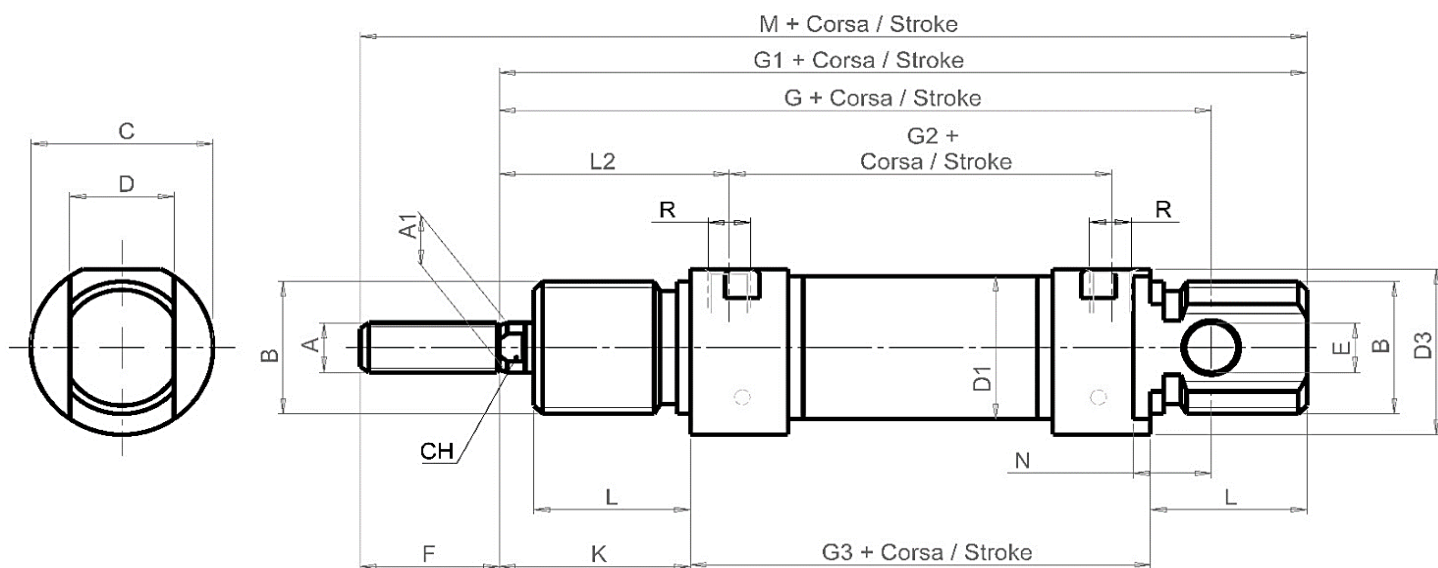


**DEAI - Doppio effetto ammortizzato inox / DEAI - Double acting cushioned stainless steel**



| Ø mm | A          | A1 | B         | C  | D  | D1    | D3   | E | F  | G   | G1  | G2   | G3 | K  | L  | L2 | N  | CH | R    | M   |
|------|------------|----|-----------|----|----|-------|------|---|----|-----|-----|------|----|----|----|----|----|----|------|-----|
| 20   | M8         | 8  | M22 x 1,5 | 27 | 16 | 21,27 | 25,5 | 8 | 20 | 95  | 111 | 51,5 | 67 | 24 | 20 | 32 | 12 | 8  | 1/8" | 131 |
| 25   | M10 x 1,25 | 10 | M22 x 1,5 | 30 | 16 | 26,5  | 28,5 | 8 | 22 | 104 | 118 | 52   | 68 | 28 | 22 | 36 | 12 | 10 | 1/8" | 140 |

**Corse disponibili / Available stroke**

| Corsa / Stroke | Ø20 | Ø25 |
|----------------|-----|-----|
| 10             | X   | X   |
| 25             | X   | X   |
| 50             | X   | X   |
| 80             | X   | X   |
| 100            | X   | X   |
| 125            | X   | X   |
| 160            | X   | X   |
| 200            | X   | X   |
| 250            | X   | X   |
| 300            | X   | X   |
| 320            | X   | X   |
| 400            | X   | X   |
| 500            | X   | X   |